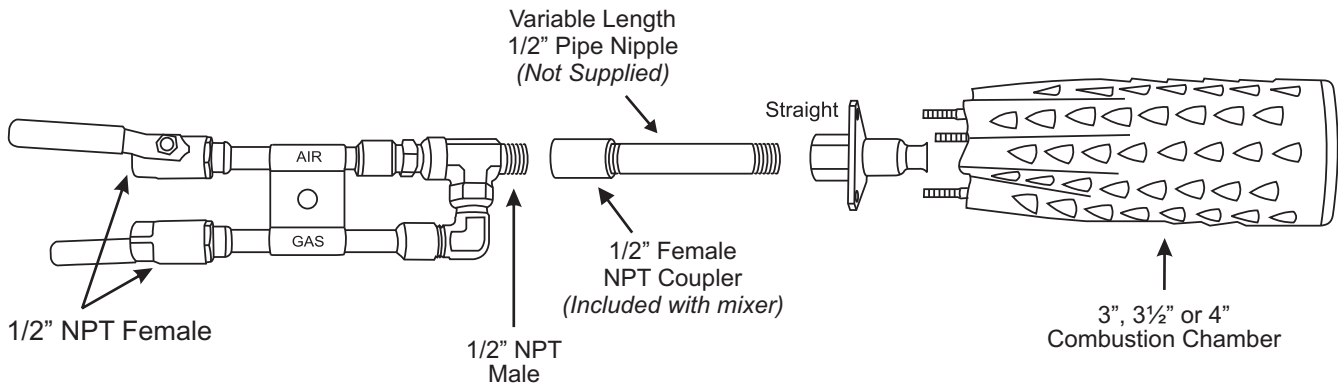


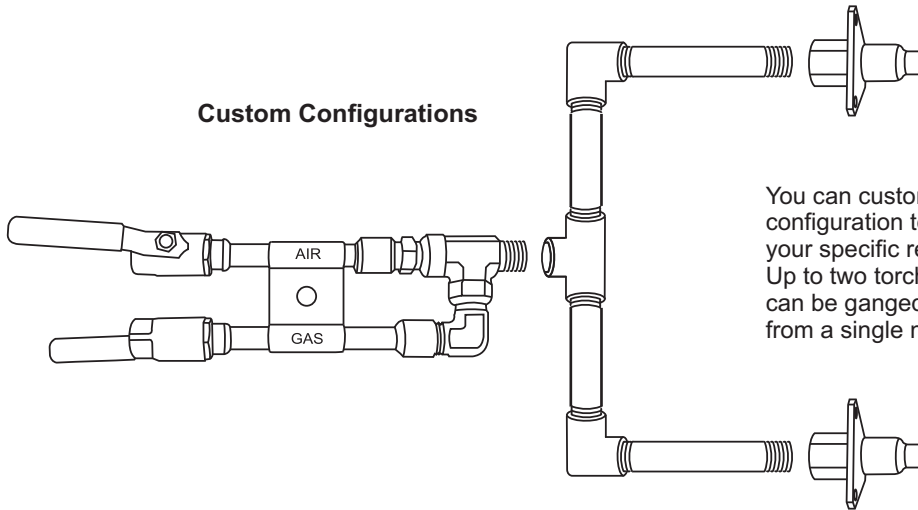
BELCHFIRE[®]

CORPORATION

MODEL 4F MIXER



Custom Configurations



You can custom design a configuration to best suit your specific requirements. Up to two torch heads can be ganged to operate from a single mixer.

TORCH MODEL

4F

Fuel Consumption - BTU	2,000,000
Fuel Consumption - CFH	800
Air Consumption - CFM	13
Combustion Chamber Diameter - IN	3, 3½, 4
Torch Length - IN	10.5
Torch Weight - LBS	3
Fuel & Air Connection - NPT	1 / 2
Air Pressure - PSIG	50 - 150
Fuel Pressure - PSIG	5 - 25

4F PARTS ORDERING INFORMATION

PART #	DESCRIPTION
BF4F	Mixer - 4F
BF3F180	Head - 180 Degree (3", 3½")
BF4F180	Head - 180 Degree - for 4" Chamber
BF3CC	3" Combustion Chamber
BF35CC	3½" Combustion Chamber
BF4CC	4" Combustion Chamber